

PLASTIC BUTTERFLY VALVE K 016



Plastic butterfly valve type K 016 with Open/Close lever

TECHNICAL DATA

Nominal diameter:	DN 32 – DN 100 with notch lever DN 32 – DN 50 with open/close lever
Face-to-face:	EBRO works standard
Tightness check:	DIN 3230 T3 BO, BN (Leakage Rate 1) ISO 5208, Category 3 API 598 Table 5 ANSI B 16-104, Class VI
Temperature range:	-10 °C to +60 °C (depending on pressure and medium)
Operating pressure:	max. 6 bar
Differential pressure:	max. Δp 6 bar
Body:	PVC
Disc:	Aluminium alloy Rubber coated
Shafts:	Stainless Steel

FEATURES

- Shut-off valve with adhesive sockets for mounting in PVC pipe systems
- The center part can be removed during maintenance work.
- Can be installed in any desired position.
- Can be disassembled, material-specific recycling possible.

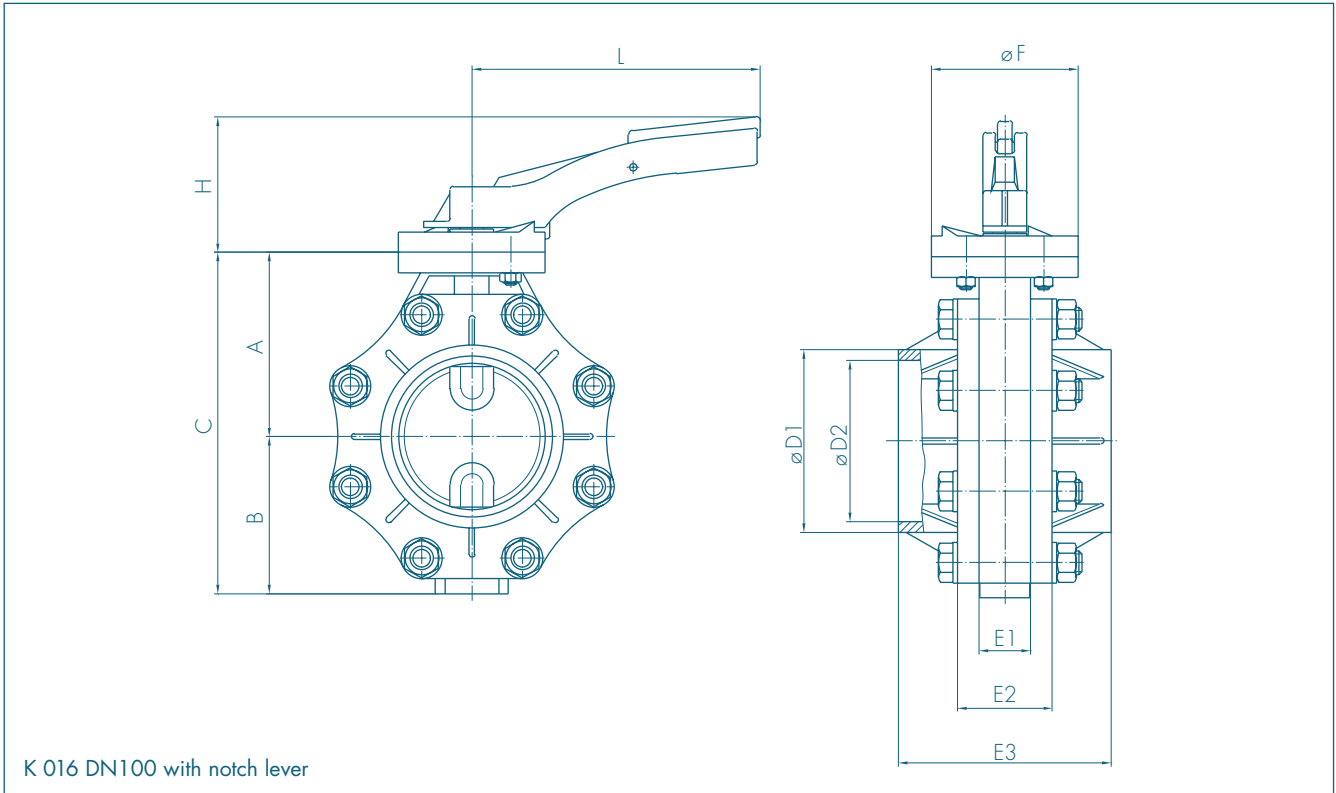
GENERAL APPLICATIONS

- Swimming pool technology
- PVC piping



Plastic butterfly valve type K 016 with notch lever

PLASTIC BUTTERFLY VALVE K 016



DN [mm]	Size [in]	Dimensions [mm]									Weight [kg]		
		A	B	C	D1	D2	E1	E2	E3	F			
32	1¼	65	49	114	54	40	30	60	140	100	195	95	1,0
40	1½	65	49	114	64	50	30	60	140	100	195	95	1,0
50	2	65	49	114	77	63	30	60	140	100	195	95	1,0
65	2½	77,5	61,5	139	90	75	35	65	145	100	195	95	1,9
80	3	77,5	61,5	139	105	90	35	65	145	100	195	95	1,9
100	4	126	97	233	125	110	35	65	145	100	195	95	3,7

Subject to change without notice.