

# BUTTERFLY VALVE CK



Butterfly valve CK with worm gear

## TECHNICAL DATA

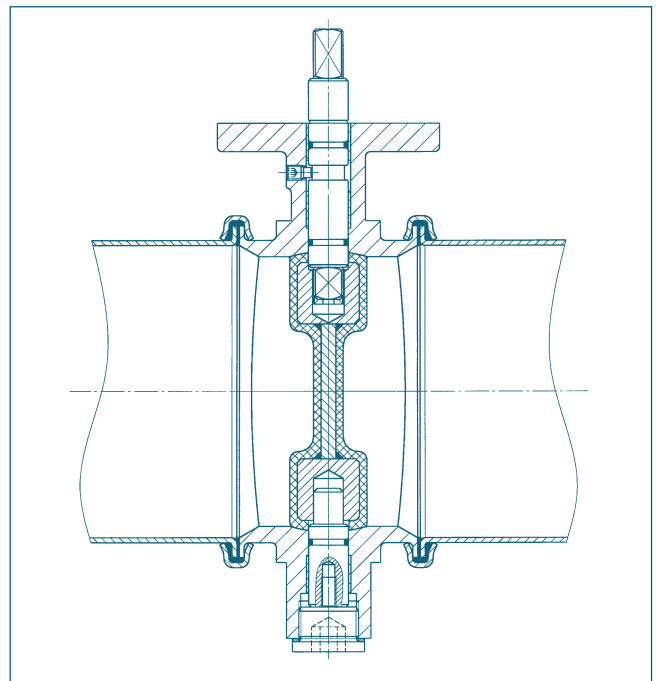
Nominal diameter:	DN 80 – DN 250
Face-to-face:	EBRO works standard
Top flange:	EN ISO 5211
Tightness check:	DIN 3230 T3 BO, BN (Leakage Rate 1) ISO 5208, Category 3 API 598 Table 5 ANSI B 16-104, Class VI
Temperature range:	-10 °C to +60 °C (depending on pressure and medium)
Operating pressure:	max. 3 bar
Body:	Aluminium
Disc:	Stainless Steel NBR (white) coated Thickness: 3 mm
Shaft:	Stainless Steel (AISI 316)

## ALLGEMEINE HINWEISE

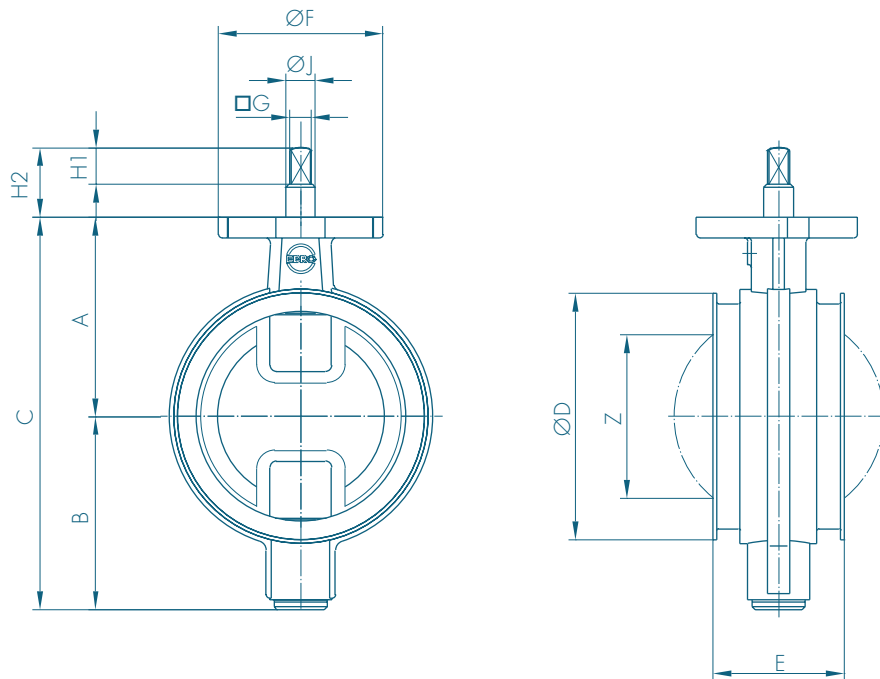
- Wafer pattern butterfly valve with centrally mounted disc
- Body with mutual bond for Clamp Ring Connection
- The inside contour is spherically machined.
- Through-going seal seat without any edges
- Low consumption
- Fast and easy dismantling
- Maintenance-free

## GENERAL APPLICATIONS

- Food industry
- Bulk goods



# BUTTERFLY VALVE CK



Butterfly valve CK with bare shaft end

DN [mm]	Size [in]	Dimensions [mm]												Weight [kg]
		A	B	C	D	E	F	Flange	G	H1	H2	J	Z	
80	3	86	87	173	92	66	65	F05	10	16	30	12	33	0,9
100	4	96	97	193	115	68	65	F05	10	16	30	12	66	1,3
120	5	109	105	214	135	72	90	F07	12	20	38	16	89	1,9
200	8	179	166	345	215	85	90	F07	16	20	38	20	175	5,8
250	10	206	189	395	265	85	90	F07	16	20	38	20	230	7,7

Subject to change without notice